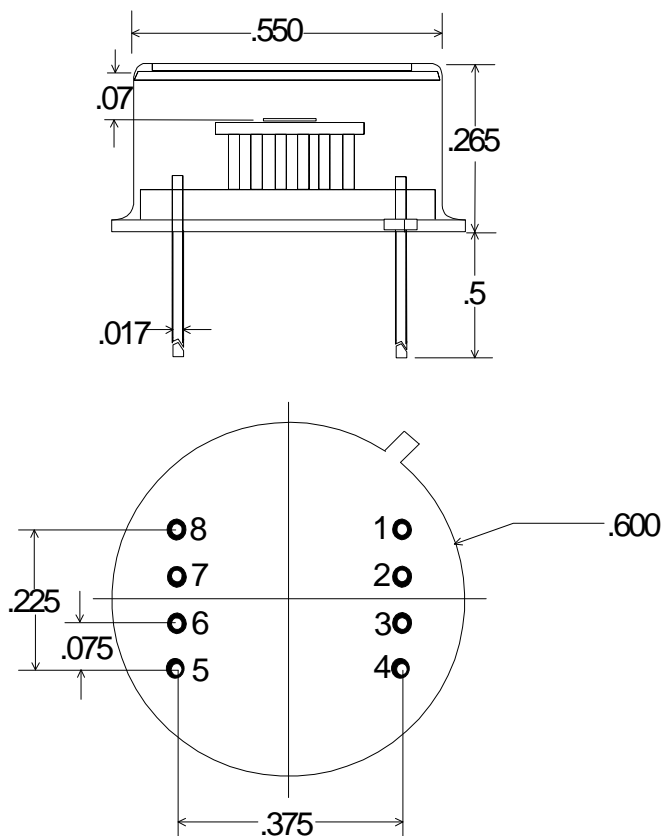


TE - COOLED PHOTODETECTOR


Part no.
PBS-060-TE1
PIN OUT

1 = COOLER (-)
2 = THERMISTOR
3 = THERMISTOR
4 = COOLER (+)
5 = DETECTOR
6 = DETECTOR
7 = NO CONNECT
8 = NO CONNECT

Note:
Dimensions in Inches

Operating Note

The TE cooled photodetector series consists of a high performance photoconductor mounted on a thermoelectric cooler, all housed in a TO-8 package. A thermistor is mounted to the TEC's cold plate to provide a precise, reliable temperature monitor. Before operation VERIFY ELECTRICAL WIRING, else catastrophic damage may be sustained by the unit. Electrical power consumption can exceed 1 watt (1V / 1.00A); therefore, this package must be suitably heat sunk. Thermal grease with secure clamping is recommended for power dissipation. Temperature levels below -10°C are possible with an optimized mechanical assembly.

SPECIFICATIONS

Operating Temperature ($^{\circ}\text{C}$)	22	-10
Active Area	6 mm x 6 mm	
Detector Resistance (Ω), typ	0.5 - 2.0 M	0.7 - 4.0 M
Responsivity (2.6 μm) V/W,	$> 0.5 \times 10^5$	$> 1 \times 10^5$
$D^*(2.6\mu\text{m}, 500\text{Hz}, 1\text{Hz}) \text{ cm}\cdot\text{Hz}^{1/2}/\text{W}$	$> 6 \times 10^{10}$	$> 1.5 \times 10^{11}$
Thermistor Resistance (k Ω)	1.7 nom	7.5 nom
Cooler Current (A)	0.0	0.65
Maximum Cooler Current (A)	1.00	

RoHS Compliant